

### TWO DOOR QUADRANT

EN 14428:2015+A1:2018 (shower enclosures)

EN 12150-1:2013 (glass in building)

6mm Toughened Safety Glass

50mm Product Adjustment

1950mm Height

25mm Wall Profile Extension Available

Patented Twist + Lock Adjustment

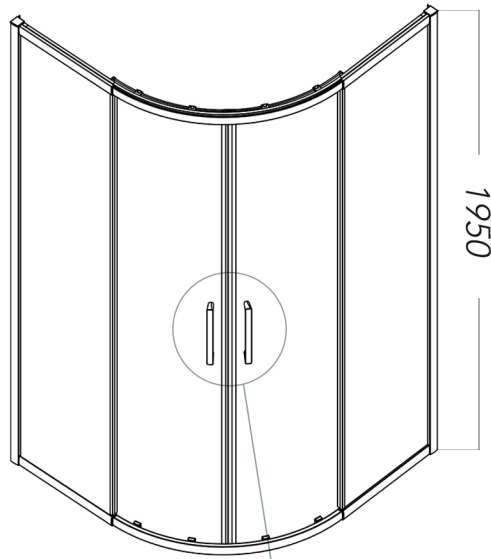
Innovative Silent Wheel Track System

CLEANEASY Coating

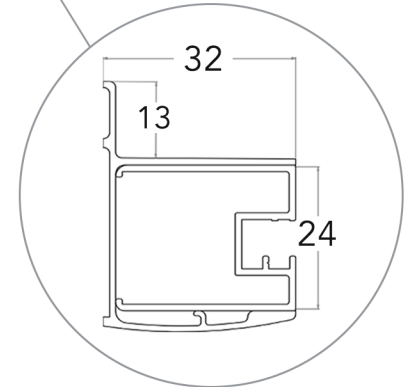
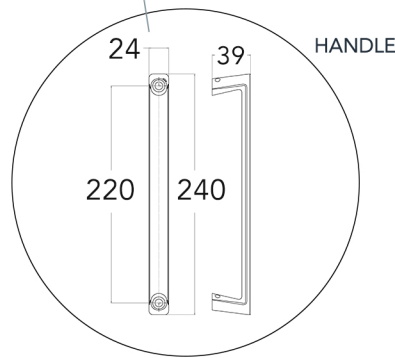
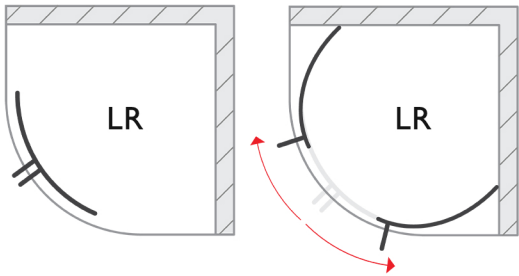
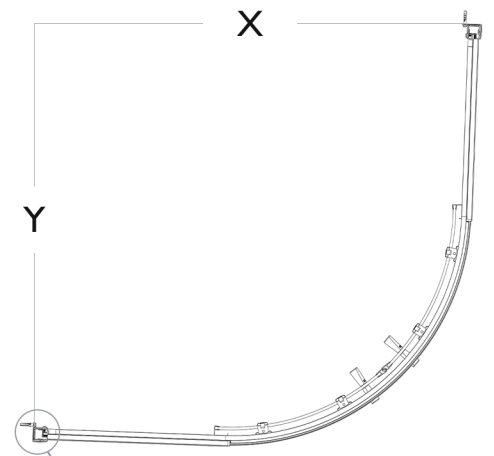
Reversible

Sleek Chrome Plated Door Handles

20 Year Guarantee Against Manufacturing Defects\*



(MEASUREMENTS IN MM)



PROFILE  
(SAME ON BOTH SIDES)

### SPECIFICATIONS

PRODUCT SIZE	ADJUSTMENT X = Y (min - max)	ACCESS	PRODUCT WEIGHT	PRODUCT CODE SILVER
800mm	750 - 800mm	370mm	42.50kg	STCQ80SC
900mm	850 - 900mm	514mm	46.00kg	STCQ90SC
1000mm	950 - 1000mm	514mm	54.50kg	STCQ100SC

+353 42 966 8000 | [flairshowers.com](http://flairshowers.com) | [sales@flairshowers.com](mailto:sales@flairshowers.com)

All data presented may be subjected to change without prior notice. Flair Showers does the best it can to provide accurate information. Flair Showers unfortunately cannot guarantee this, and accept no liability for any information / advice given.

\* Excludes perishable items such as rollers, seals, hinges, etc.